

| Features | |
|------------------|-----------------|
| Series: | T |
| Type: | 40 |
| Code: | 07.425.119.11 |
| Description: | T401010ENC12C12 |
| Customer's code: | - |
| Colour: | Black |

| Last drawing | |
|--------------|---------|
| Index: - | Date: - |

| Application | |
|-------------|--|
| - | |

| Driveline data | |
|----------------|--------------------|
| X | 1 3/8" Z6 DIN 9611 |
| Y | 1 3/8" Z6 DIN 9611 |
| E | 865-34.06" |
| I | 880-34.65" |
| P | 795-31.3" |

| Overlap | |
|-------------|-------------------------|
| Steel tubes | Guard |
| Max. | 840-33.07" / 775-30.51" |
| Min. | 282-11.1" / 217-8.54" |

| Greasing point | |
|----------------|---|
| 1) | - |
| 2) | - |

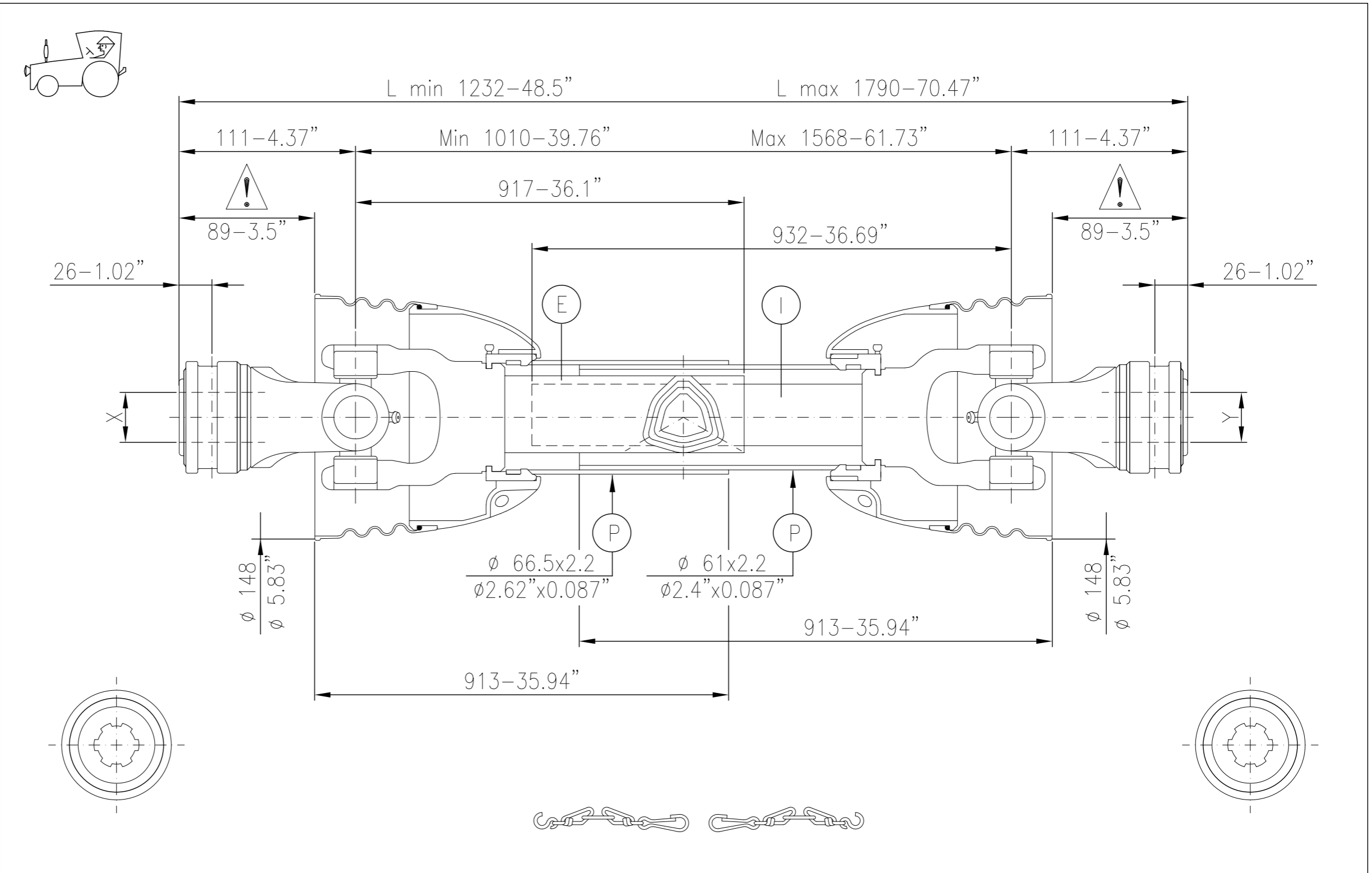
The dimensioning is cross to cross

| Cross and tubes | |
|-----------------|--|
| | |

| End fittings | | Max. torque |
|--------------|----------|-------------|
| Tractor | Cod: C12 | - |
| Implement | Cod: C12 | - |

Notes:
 CERTIFIED

Warning !
 Sections of driveline marked are not shielded and must be shielded by an interactive guarding system.
 COMER spa declines responsibility if proper guards are not provided or maintained.



| Data 540 r.p.m. | | | |
|-----------------|----|-----|--------|
| KW | CV | Nm. | in.lb. |
| 26 | 35 | 460 | 4050 |

| Data 1000 r.p.m. | | | |
|------------------|----|-----|--------|
| KW | CV | Nm. | in.lb. |
| 40 | 55 | 380 | 3350 |

1100 min.⁻¹
 r.p.m. max.

| Data for only critical velocity | |
|---------------------------------|-----------------|
| 540 r.p.m. | 1000 r.p.m. |
| Max. | Max. |
| - | - |
| L max. | L max. |
| - | - |
| Checked: | Signed by: A.S. |

Customer:

 Date: 31-10-17

Continuous operation data and conditions, working angle 5°, average life 1000 hours